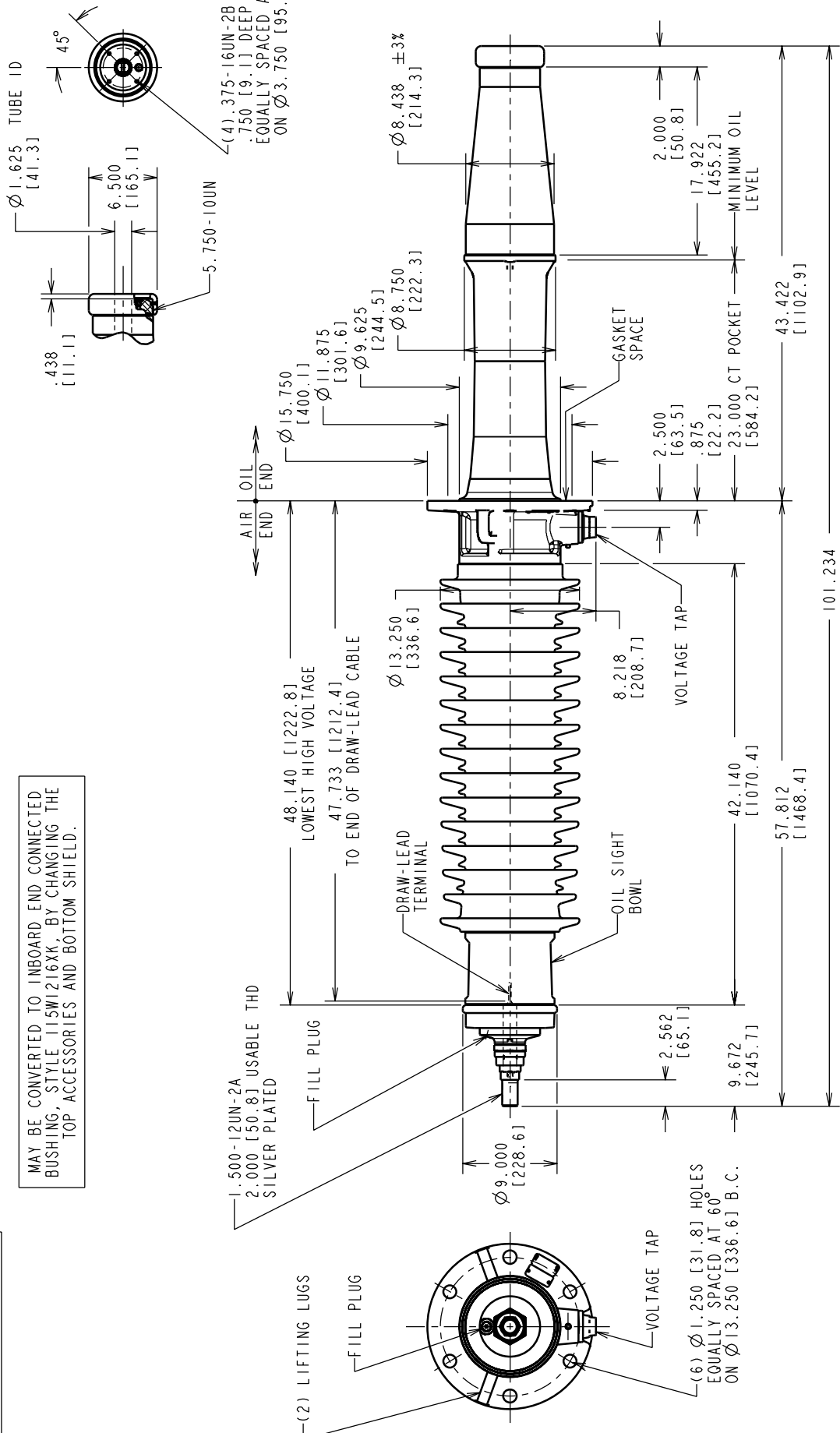


SPECIAL FEATURES: NONE

MAY BE CONVERTED TO INBOARD END CONNECTED BUSHING, STYLE T115W1216XX, BY CHANGING THE TOP ACCESSORIES AND BOTTOM SHIELD.

WE RESERVE ALL RIGHTS IN THIS DOCUMENT AND IN THE INFORMATION CONTAINED THEREIN. REPRODUCTION, USE OR DISCLOSURE TO THIRD PARTIES WITHOUT EXPRESS AUTHORITY IS STRICTLY FORBIDDEN. © ABB.



STYLE NO.	CATALOG NO.	OUTER INSULATING ENVELOPE COLOR	INSULATION CLASS kV	BASIC IMPULSE LEVEL kV	MAX. LINE TO GROUND VOLTAGE kV	CONNECTION METHOD AND CONTINUOUS CURRENT A @ 60Hz		MINIMUM ARCING DISTANCE in. / [mm]	MINIMUM CREEP DISTANCE in. / [mm]	MAXIMUM ALTITUDE ft / [m]	MOUNTING ANGLE FROM VERTICAL deg	APPROX. WEIGHT lb / [kg]
						DRAW-LEAD	INBOARD END TRANS. O.C.B.					
115W0800XA	W11B440BB	GRAY	115	550	88	800	N/A	42.140 [1070]	104.500 [2654]	9650 [2941]	0 TO 60	383 [173.7]
115X0800XA	W11B440	BROWN										

ABB Inc. ALAMO, TN U.S.A.		TITLE: TYPE O Plus C™ IEEE, CONDENSER BUSHING	
RESP. DEPT.: BUSHINGS		DRAWING NO: T115W0800XA	
DFTR: J. ARMIGER	25-Aug-98	UNITS = in./[mm]	SCALE = 0.140
CHKD:	10/27/98	LANG. = ENGLISH	REV.: 7
APPD: H.R. McKIM			SHEET 1 OF 1

REV.	REVISIONS
1	D-4A0543 REDRAWN ON CADD
2	OLD OUTLINE SHOULD BE P3946C188
3	RELOCATED NAMEPLATES: W.A. SHINER 1-05-00 H. MCKIM 1/7/00
4	UPDATE FLANGE FROM SLOTS TO HOLES J. ARMIGER 06/01/00 H. MCKIM 06/01/00
5	ADDED LOWEST HIGH VOLTAGE UPPER FORC. DIA. WMS Ø 12.250 H. DINH 10/10/08 J. ARMIGER 10/10/08
6	-ACTIVE DIMEN. CORRECTIONS P. SWAN 11/18/10 H. DINH 11/19/10
7	CSR 1310212 CHANGED NOTE FOR LOWER SUPPORT, 90° WAS 60° R. CARBONELL 9/18/2013 D. STACY 9/19/2013